

- Six foot (1.8 m) multiband, eight port antenna with a 45° azimuth beamwidth covering 698-798, 824-896 MHz and 1695-2400 MHz frequencies
- Four wide high band ports covering 1695-2400 MHz and four frequency specific low band ports covering 698-798 MHz and 824-896 MHz (over a distributed diplexer) in a single antenna
- Full Spectrum Compliance for WCS and AWS-3 frequencies and Band 14 Operations
- LTE Optimized FBR and SPR performance, providing for an efficient use of valuable radio capacity
- LTE Optimized Boresight and Sector XPD and USL performance, essential for LTE Performance
- Exceeds minimum PIM performance requirements
- Equipped with new 4.3-10 connector, which is 40% smaller than traditional 7/16 DIN connector
- Equipped with 3 field replaceable, integrated AISG 2.0 compliant Remote Electrical Tilt (RET) Controllers (Type 1 External)
- Ordering options for External RET Controllers (Type 1) or Internally Integrated RET Controllers (Type 17)

Overview

The CCI OctoPort multiband array is an eight port antenna, with four wide high band ports covering 1695-2400 MHz and four frequency specific low band ports covering 698-798 MHz and 824-896 MHz. The antenna provides the capability to deploy 4x4 Multiple-input Multiple-output (MIMO) in the high band and 2x2 Multiple-input Multiple-output across each of the paired low band ports.

The CCI OctoPort allows independent tilt control between the low band ports and high band ports, in a three RET Controller (Type 1 External) configuration. The 1st RET is dedicated for the 700 MHz Low Band ports and the 2nd RET is dedicated for the 850 MHz Low Band ports. The 3rd RET is dedicated for the High Band ports. With the use of a single RET in the High Band, equal tilt is achieved across all four High Band ports, which ensures optimal 4x4 MIMO performance.

CCI antennas are designed and produced to ISO 9001 certification standards for reliability and quality in our state-of-the-art manufacturing facilities

Applications

- 4x4 MIMO for the high band and 2x2 MIMO for each the low band ports
- Ready for Network Standardization on 4.3-10 connectors
- With CCI's multiband antennas, wireless providers can connect multiple platforms to a single antenna, reducing tower load, lease expense, deployment time and installation costs



OctoPort Multi-Band Antenna

OPA45R-BU6A

SPECIFICATIONS

Electrical

Ports	2 × Low Band Ports for 698-798 MHz	2 × Low Band Ports for 824-896 MHz
Frequency Range	698-798 MHz	824-896 MHz
Gain ¹	16.2 dBi	17.1 dBi
Gain (Average) ²	15.9 dBi	16.7 dBi
Azimuth Beamwidth (-3dB)	51°	47°
Elevation Beamwidth (-3dB)	12.4°	10.8°
Electrical Downtilt	2° to 12°	2° to 12°
Elevation Sidelobes (1st Upper)	<-20 dB	<-20 dB
Front-to-Back Ratio @180°	> 30 dB	> 30 dB
Front-to-Back Ratio over ±20°	> 30 dB	> 30 dB
Cross-Polar Discrimination at Peak	> 28 dB	> 28 dB
Cross-Polar Discrimination at 3 dB ²	25.4 dB	23.7 dB
Cross-Polar Port-to-Port Isolation	> 25 dB	> 25 dB
Voltage Standing Wave Ratio (VSWR)	< 1.5:1	< 1.5:1
Passive Intermodulation (2×20W)	≤ -153 dBc	≤ -153 dBc
Input Power Continuous Wave (CW)	500 watts	500 watts
Polarization	Dual Linear 45°	Dual Linear 45°
Input Impedance	50 ohms	50 ohms
Lightning Protection	DC Ground	DC Ground

¹Peak gain across sub-bands.

²Electrical specifications follow document "Recommendation on Base Station Antenna Standards" (BASTA) V9.6.

Ports	4 × High Band Ports for 1695-2400 MHz			
Frequency Range	1695-1880 MHz	1850-1990 MHz	1920-2180 MHz	2300-2400 MHz
Gain ¹	19.0 dBi	19.5 dBi	19.7 dBi	20.0 dBi
Gain (Average) ²	18.1 dBi	18.8 dBi	19.1 dBi	19.2 dBi
Azimuth Beamwidth (-3dB)	44°	43°	42°	43°
Elevation Beamwidth (-3dB)	5.3°	4.8°	4.6°	3.9°
Electrical Downtilt	2° to 10°	2° to 10°	2° to 10°	2° to 10°
Elevation Sidelobes (1st Upper)	<-16 dB	<-16 dB	<-16 dB	<-16 dB
Front-to-Back Ratio @180°	> 30 dB	> 32 dB	> 35 dB	> 35 dB
Front-to-Back Ratio over ±20°	> 25 dB	> 28 dB	> 30 dB	> 30 dB
Cross-Polar Discrimination at Peak	> 20 dB	> 20 dB	> 23 dB	> 25 dB
Cross-Polar Discrimination at 3 dB ²	16.2 dB	17.0 dB	17.4 dB	18.5 dB
Cross-Polar Port-to-Port Isolation	> 25 dB	> 25 dB	> 25 dB	> 25 dB
Voltage Standing Wave Ratio (VSWR)	< 1.5:1	< 1.5:1	< 1.5:1	< 1.5:1
Passive Intermodulation (2×20W)	≤ -153 dBc	≤ -153 dBc	≤ -153 dBc	≤ -153 dBc
Input Power Continuous Wave (CW)	300 watts	300 watts	300 watts	300 watts
Polarization	Dual Linear 45°	Dual Linear 45°	Dual Linear 45°	Dual Linear 45°
Input Impedance	50 ohms	50 ohms	50 ohms	50 ohms
Lightning Protection	DC Ground	DC Ground	DC Ground	DC Ground

¹Peak gain across sub-bands.

²Electrical specifications follow document "Recommendation on Base Station Antenna Standards" (BASTA) V9.6.



SPECIFICATIONS

OctoPort Multi-Band Antenna

OPA45R-BU6A

Mechanical

Dimensions (LxWxD)	72.0x15.4x8.2 in (1828x391x208 mm)
Survival Wind Speed	> 150 mph (> 241 kph)
Front Wind Load	255 lbs (1136 N) @ 100 mph (161 kph)
Side Wind Load	153 lbs (680 N) @ 100 mph (161 kph)
Equivalent Flat Plate Area	10.0 ft ² (0.9 m ²)
Weight *	72.8 lbs (33.0 kg)
RET Weight	5.0 lbs (2.3 kg)
Connector	8 x 4.3-10 female
Mounting Pole	2 to 5 in (5 to 12 cm)

* Weight excludes mounting and RET

Discontinued



SPECIFICATIONS

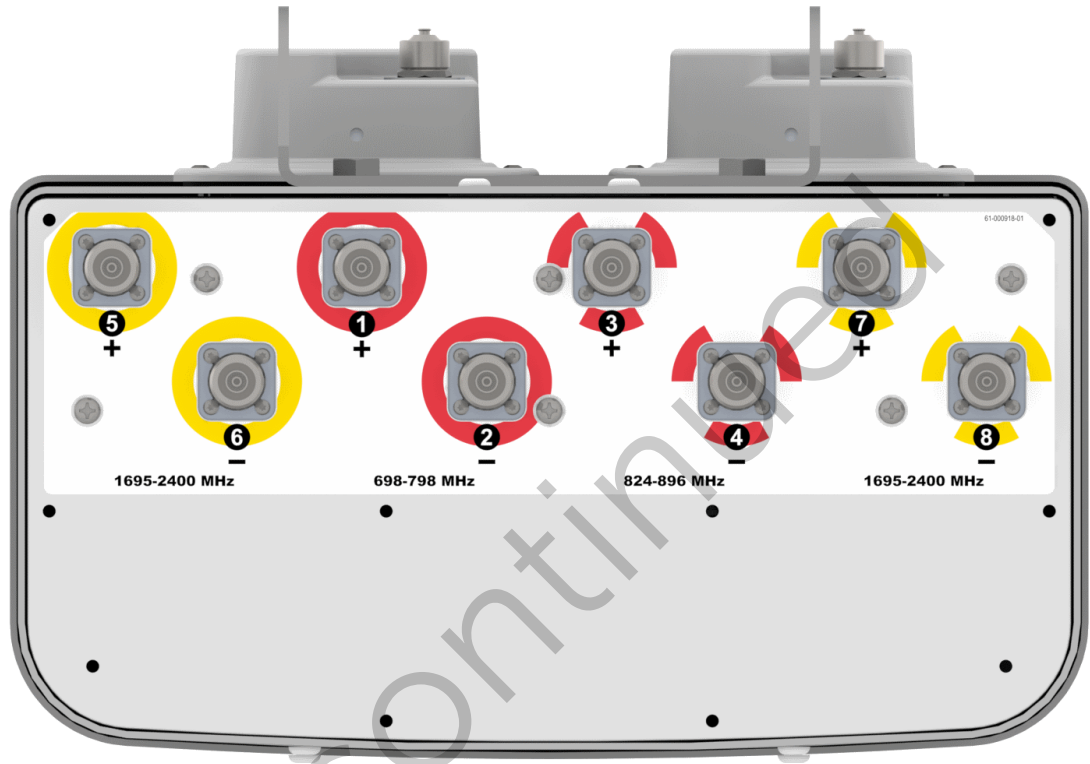
OctoPort Multi-Band Antenna

OPA45R-BU6A

Mechanical

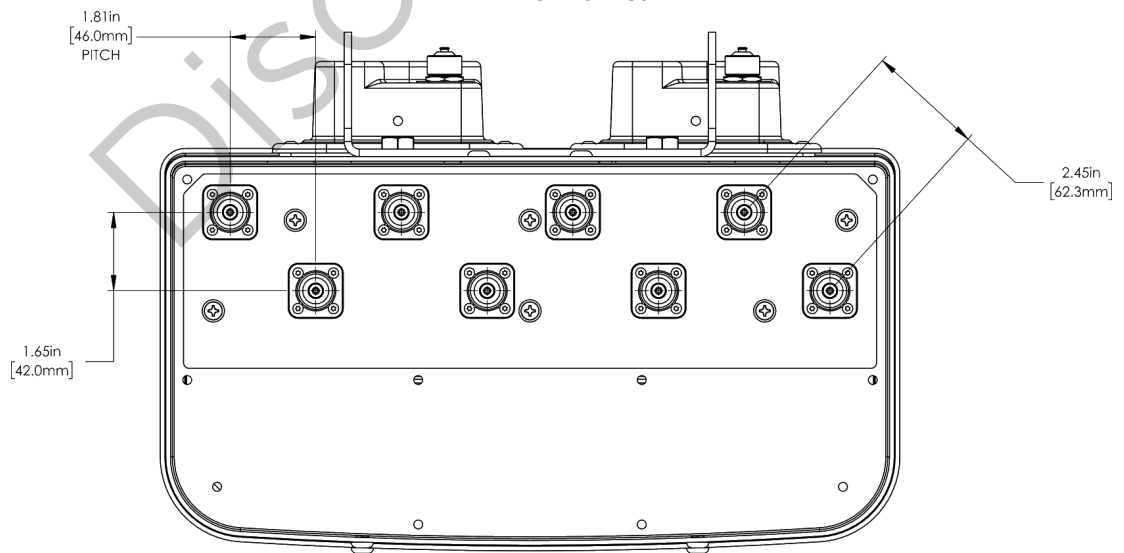
Bottom View

OPA45R-BU6AA



Connector Spacing Diagram

OPA45R-BU6AA



SPECIFICATIONS

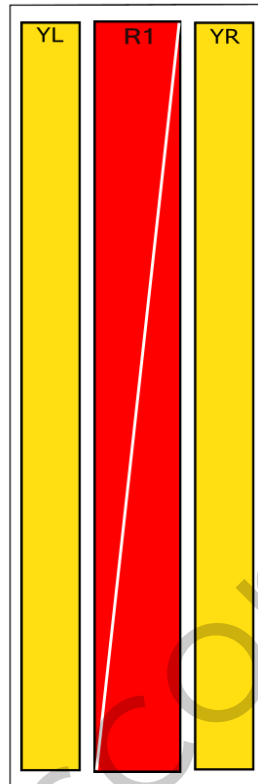
Mechanical

RET to Element Configuration

OPA45R-BU6AA Element and RET configuration

**Top of antenna
Viewed from rear**

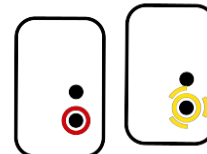
**RET placement
as viewed from rear
of antenna**



Top of antenna



824-896
Ports 3 & 4
(R1)



698-798
Ports 1 & 2
(R1)

1695-2400
Ports 5, 6, 7 & 8
(YL & YR)

Array	Ports	Freq (MHz)	Ports controlled by common RET
R1	1, 2	698-798	1, 2
R1	3, 4	824-896	3, 4
YL	5, 6	1695-2400	5, 6, 7, 8
YR	7, 8	1695-2400	



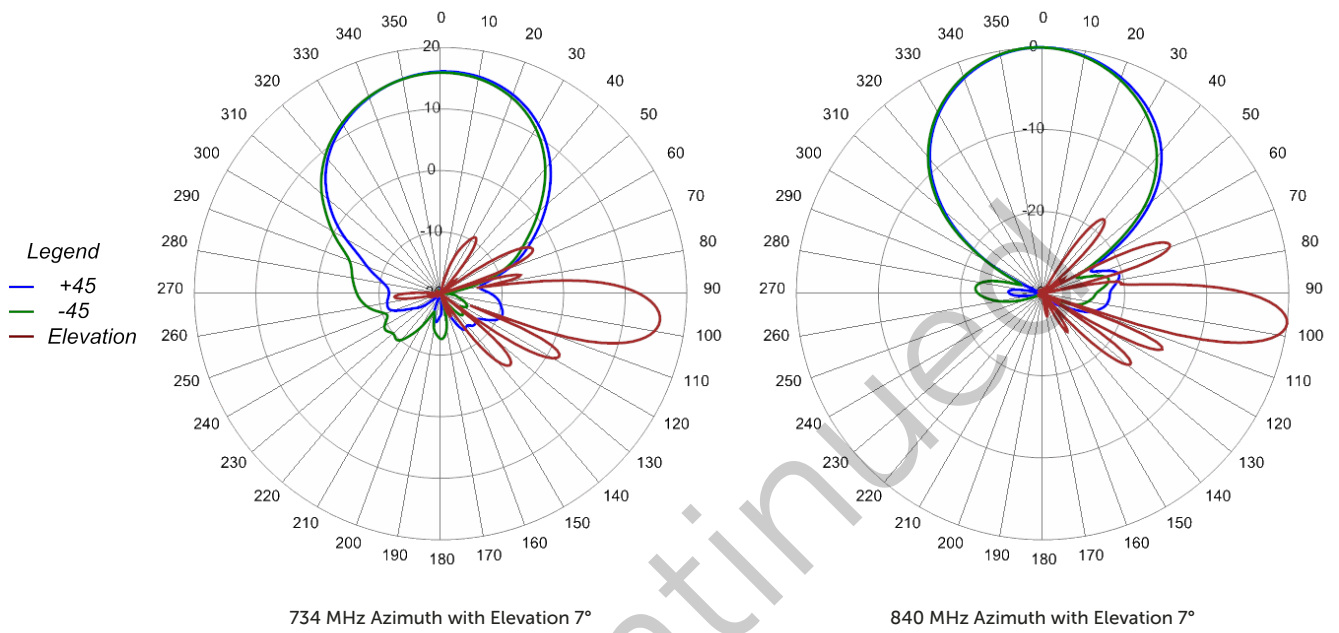
SPECIFICATIONS

OctoPort Multi-Band Antenna

OPA45R-BU6A

Typical Antenna Patterns

For detailed information on additional antenna patterns, contact customer support at support@cciproducts.com

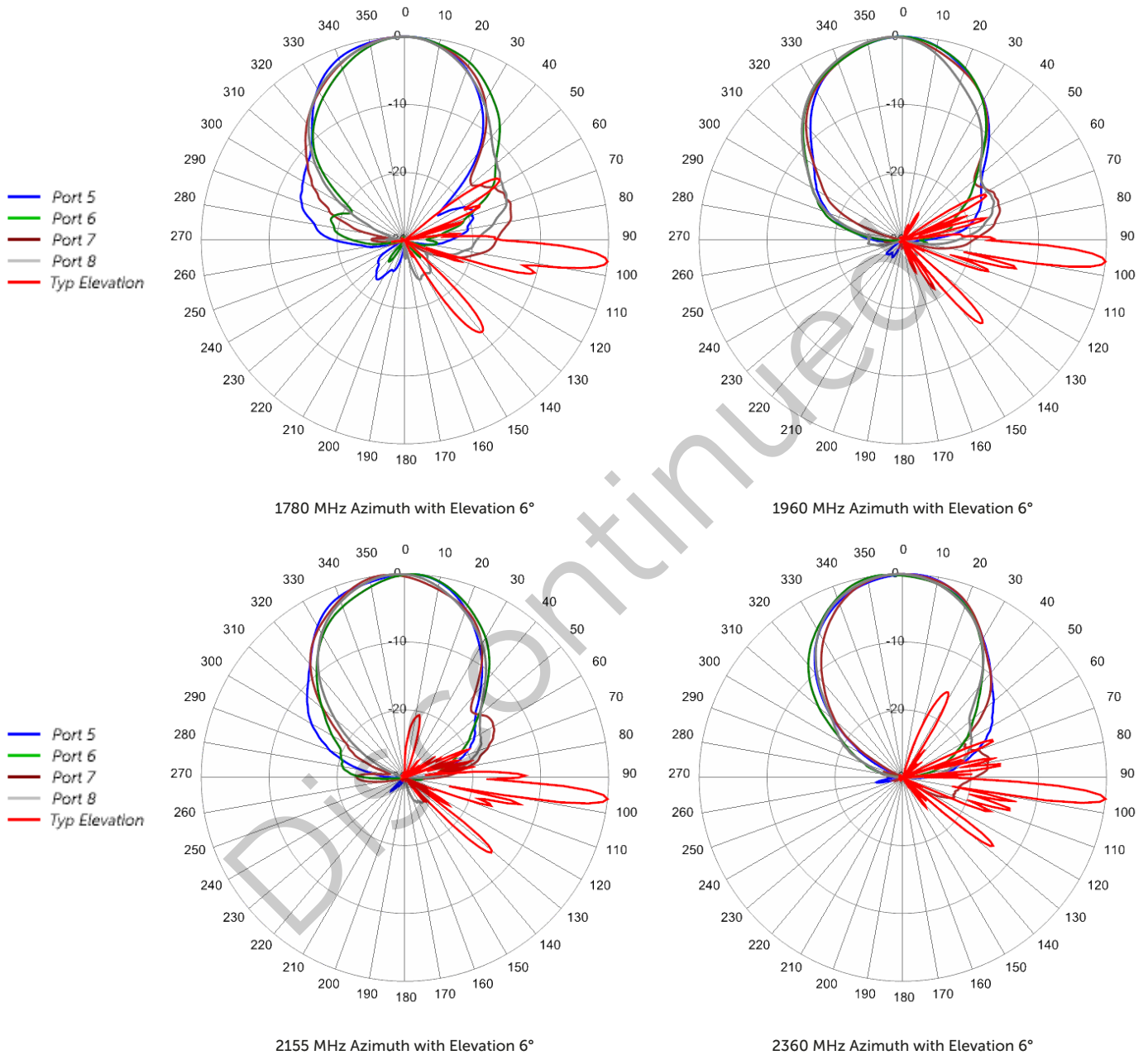




OctoPort Multi-Band Antenna

OPA45R-BU6A

Typical Antenna Patterns





Parts & Accessories

OPA45R-BU6AA-K	Six foot (1.8 m) OctoPort antenna with 45° azimuth beamwidth, 4.3-10 female connectors, 3 factory installed BSA-RET200 RET actuators (Type 1 External) and MBK-01 mounting bracket
OPA45R-BU6AB-K	Six foot (1.8 m) OctoPort antenna with 45° azimuth beamwidth, 4.3-10 female connectors, 3 factory installed BSA-RET400 RET actuators (Type 17 Internal) and MBK-01 mounting bracket
MBK-01	Mounting bracket kit (top and bottom) with 0° to 10° mechanical tilt adjustment
BSA-RET200	Type 1 external remote electrical tilt actuator
BSA-RET400	Type 17 internal remote electrical tilt actuator
DPA-CBK-AG-RRU	OctoPort antenna with 3 RET to RRU AISG cable kit
CBK-RA-AG-RRU-004	OctoPort antenna with 3 RET to RRU AISG right angle cable kit

Discontinued

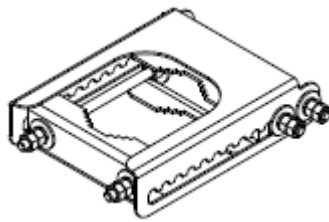


Mounting Bracket Kit

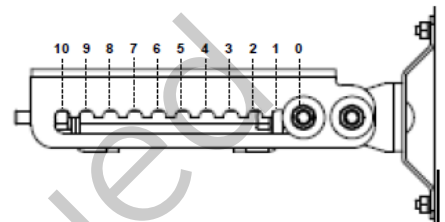
MBK-01

Mechanical

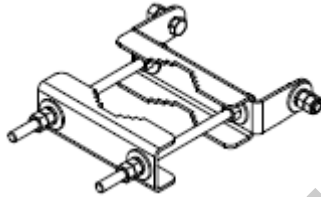
Weight	12.6 lbs (5.7 kg)
Hinge Pitch	47.25 in (1200 mm)
Mounting Pole Dimension	2 to 5 in (5 to 12 cm)
Fastener Size	M12
Installation Torque	40 ft·lb (54 N·m)
Mechanical Tilt Adjustment	0° - 10°



MBK-01 Top Adjustable Bracket



MBK-01 Top Adjustable Bracket Side View



MBK-01 Bottom Fixed Bracket

Discontinued



Remote Electrical Tilt Actuator (RET)

BSA-RET200

General Specifications

Part Number	BSA-RET200
Protocols	AISG 2.0
RET Type	Type 1
Adjustment Cycles	>10,000 cycles
Tilt Accuracy	±0.1°
Temperature Range	-40° C to 70° C

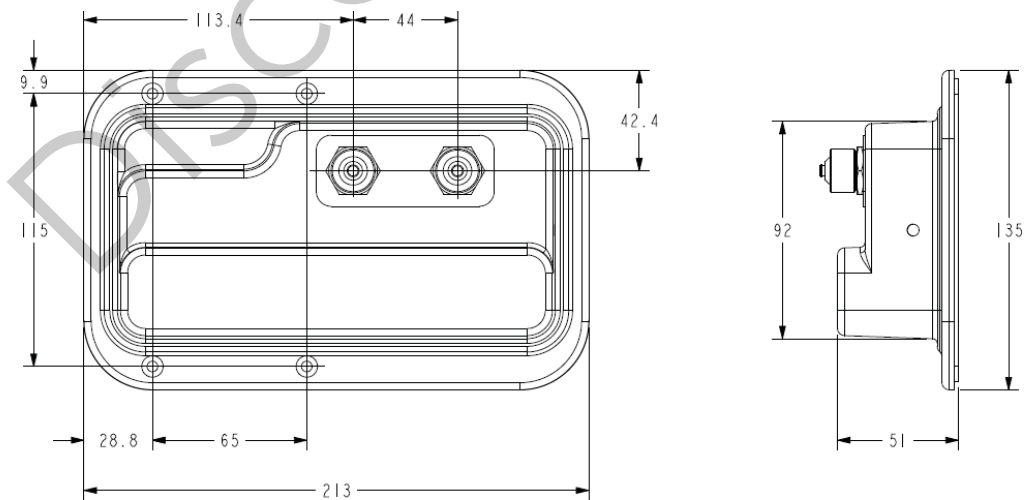
Electrical

Data Interface Signal	DC
Input Voltage	10-30 Vdc
Current Consumption Tilt	120 mA at $V_{in}=24$
Current Consumption Idle	55 mA at $V_{in}=24$
Hardware Interface	AISG-RS 485 A/B
Input Connector	Male 1 × 8 pin Daisy Chain
Output Connector	Female 1 × 8 pin Daisy Chain

Mechanical

Dimensions (LxWxD)	8.0x5.0x2.0 in. (213x135x51 mm)
Housing	ASA/ABS/Aluminum
Weight	1.7 lbs (0.75 kg)

ASA= Acrylic Styrene Acrylonitrile
ABS=Acrylonitrile Butadiene Styrene





Internal Remote Electrical Tilt (iRET)

BSA-RET400

General Specifications

Part Number	BSA-RET400
Protocols	AISG 2.0
RET Type	Type 17
Adjustment Cycles	>10,000 cycles
Tilt Accuracy	±0.1°
Temperature Range	-40° C to 70° C

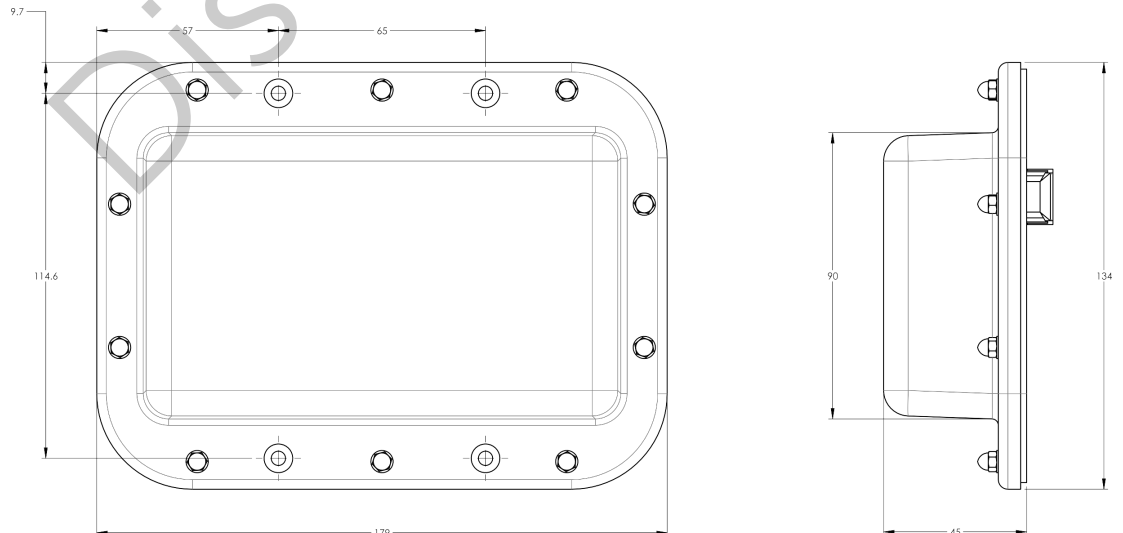
Electrical

Data Interface Signal	DC
Input Voltage	10-30 Vdc
Current Consumption Tilt	100 mA at $V_{in}=24$ (500 mA MAX)
Current Consumption Idle	10 mA at $V_{in}=24$

Mechanical

Dimensions (LxWxD)	7.0x5.3x1.8 in. (179x134x45 mm)
Housing	ASA/ABS/Aluminum
Weight	1.3 lbs (0.6 kg)

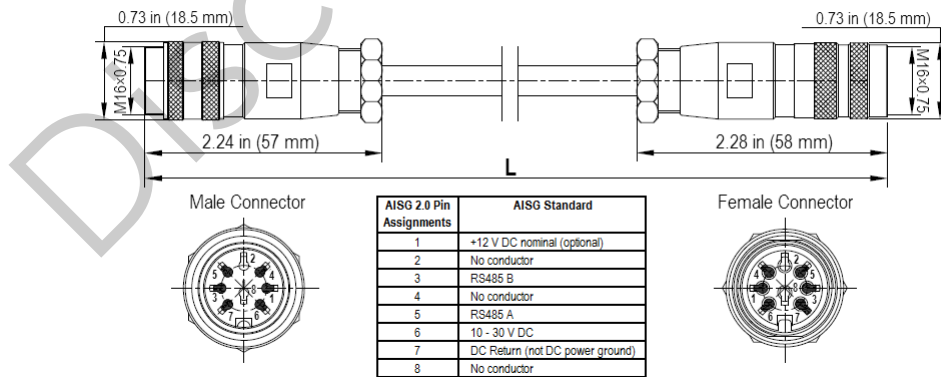
ASA= Acrylic Styrene Acrylonitrile
ABS=Acrylonitrile Butadiene Styrene



Electrical/Mechanical/Environmental Specifications

	RET to RET Cables	RRU to Antenna Cables
Individual Cable Part Number	AISGC-M-F-27	AISGC-M-F-10FT
Cable style	UL2464	
Protocol	AISG 1.1 and AISG 2.0	
Maximum voltage	300 V	
Rated current	5 A at 104° F (40° C)	
Temperature Range	-40° to 80° C	
Flammability	UL 1581 VW-1	
Ingress Protection	IEC 60529:2001, IP67	
Tightening torque	Hand tighten only ≈ 1.84 ft-lbs (2.5 N·m)	
Construction	Shielded (Tinned Copper Braid)	
Braid coverage	85%	
Jacket Material	Matte Polyurethane (Black)	
Conductors	1 twisted pair - 24 AWG 3 conductors - 19 AWG AWM style 2464	
Cable Diameter	0.307 in (7.8 mm)	
Minimum bend radius	3.9 in (100 mm)	
Connectors	2 x 8 pin IEC 60130-9 Straight male/straight female	
Length	27 in (686 mm)	120 in (3048 mm)
Weight	0.33 lbs (0.15 kg)	0.69 lbs (0.31 kg)
Cables per kit	2	2

Mechanical Specifications



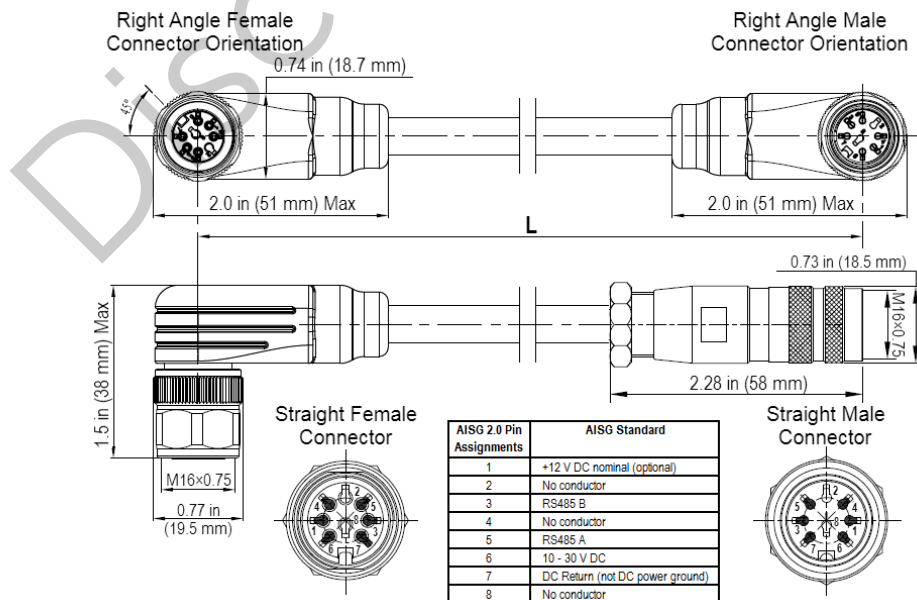
AISG-Male to AISG-Female Jumper Cable



Electrical/Mechanical/Environmental Specifications

Individual Cable Part Number	RET to RET Cables		RRU to Antenna Cables
	AISGC-MRA-FRA-22	AISGC-MRA-FRA-36	AISGC-M-FRA-10FT
Cable style	UL2464		
Protocol	AISG 1.1 and AISG 2.0		
Maximum voltage	300 V		
Rated current	5 A at 104° F (40° C)		
Temperature Range	-40° to 80° C		
Flammability	UL 1581 VW-1		
Ingress Protection	IEC 60529:2001, IP67		
Tightening torque	Hand tighten only ≈ 1.84 ft-lbs (2.5 N-m)		
Construction	Shielded (Tinned Copper Braid)		
Braid coverage	85%		
Jacket Material	Matte Polyurethane (Black)		
Conductors	1 twisted pair - 24 AWG 3 conductors - 19 AWG AWM style 2464		
Cable Diameter	0.307 in (7.8 mm)		
Minimum bend radius	3.9 in (100 mm)		
Connectors	2 x 8 pin IEC 60130-9 Right angle male/right angle female		2 x 8 pin IEC 60130-9 Straight male/right angle female
Length	22 in (559 mm)	36 in (914 mm)	120 in (3048 mm)
Weight	0.18 lbs (0.08 kg)	0.23 lbs (0.10 kg)	0.77 lbs (0.35 kg)
Cables per kit	1	1	2

Mechanical Specifications



Right Angle to Right Angle and Right Angle to Straight Jumper Cable



STANDARDS & CERTIFICATIONS

OctoPort Multi-Band Antenna

OPA45R-BU6A

Standards & Compliance

Safety	EN 60950-1, UL 60950-1
Emission	EN 55022
Immunity	EN 55024
Environmental	IEC 60068-2-1, IEC 60068-2-2, IEC 60068-2-5, IEC 60068-2-6, IEC-60068-2-11, IEC 60068-2-14, IEC 60068-2-18, IEC 60068-2-27, IEC 60068-2-29, IEC 60068-02-30, IEC 60068-2-52, IEC 60068-2-64, GR-63-CORE 4.3.1, EN 60529, IP 24

Certifications

Antenna Interface Standards Group (AISG), Federal Communication Commission (FCC) Part 15 Class B, CE, CSA US, ISO 9001

